

PRODUCT INDEX

FLOORING

ALUMINIUM TREAD PLATE	7
DURBAR STEEL FLOOR PLATE	7
EXPANDED METAL WALKWAY MESH	5
GLASS FIBRE FLOORING AND FLOOR PLATE	8, 9
GRATING	5
OPEN STEEL FLOORING	4
RHINO FLOORING PLANKS	6, 7
SAFE LOAD TABLES	19
STAINLESS STEEL TREAD PLATE	7

HANDRAILING

CRIMP CONNECTORS	13
HANDRAIL BASE PLATES	13
HANDRAIL BRACKETS	19
HANDRAIL KNUCKLES (TUBULAR)	13
HANDRAIL STANDARDS	12
HANDRAIL STANDARD FOOTPLATES	13
RETURN BENDS	13
TUBE	15
TUBECLAMPS	16, 17, 18
WELDABLE ELBOWS	13

STAIRTREADS

ANTI-SLIP TAPE	9
BAR GRATING STAIRTREAD	10
DURBAR STAIRTREAD	10
ELEFANT GRATING STEP	11
EXPANDED METAL STAIRTREAD	10
FIRM GRIP STAIRTREAD	11
GLASS FIBRE STAIRTREAD COVER	9
LCC CAST IRON STAIRTREADS	10
NON SLIP NOSING	9

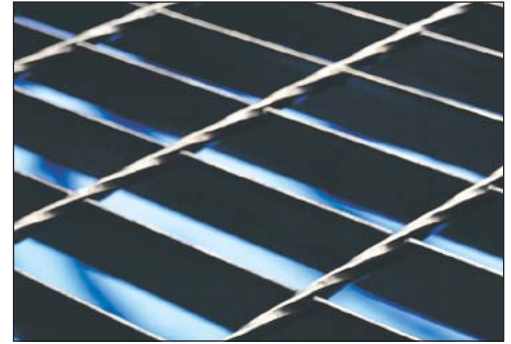
MISCELLANEOUS

CRASH BARRIER	14
HANDRAIL BRACKETS	19
PALLET FEET	19
RED OXIDE PAINT	19
SECURITY POSTS	14
STEEL DISCS	19
ZINC SPRAY	19

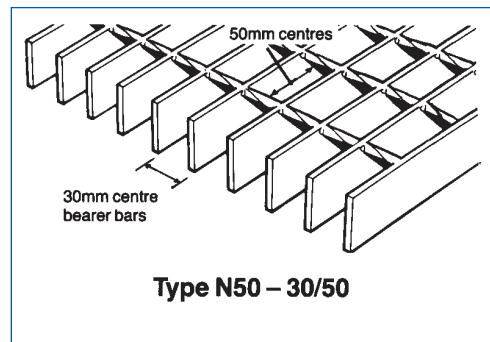
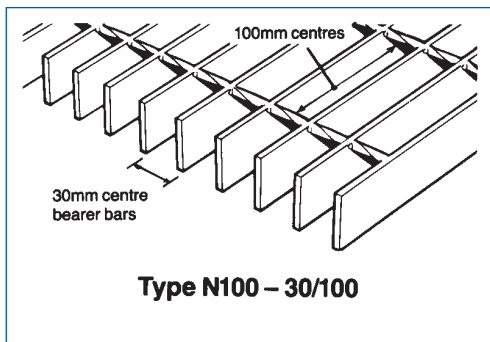
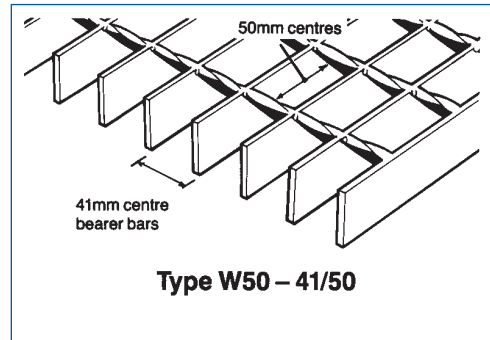
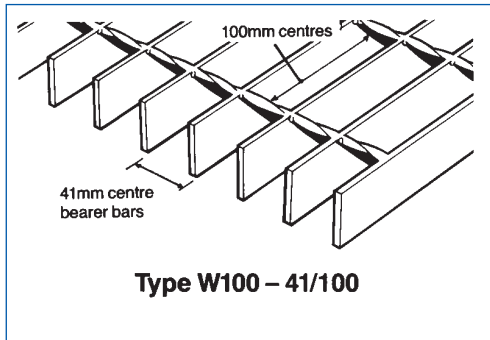
OPEN STEEL FLOORING

STANDARD PANELS - 6 metres x 1 metre

- * THE BEARER BARS RUN THE LENGTH OF THE PANEL.
- * FLOORING CAN ALSO BE CUT TO SIZE AND SHAPED TO SUIT YOUR INDIVIDUAL REQUIREMENTS.



BAR ARRANGEMENTS PRODUCT GROUP 24



MOST POPULAR STOCKED SIZES

25mm x 3mm	W100-41/100	PLAIN FINISH	2401W100253
25mm x 5mm	W100-41/100	PLAIN FINISH	2401W100255
30mm x 3mm	W100-41/100	PLAIN FINISH	2401W100303
40mm x 3mm	W100-41/100	PLAIN FINISH	2401W100403
25mm x 3mm	W100-41/100	GALVANISED	2402W100253
25mm x 5mm	W100-41/100	GALVANISED	2402W100255
30mm x 3mm	W100-41/100	GALVANISED	2402W100303

BAR DIMENSIONS - STANDARD SIZES

20mm x 3mm	20mm x 5mm	50mm x 5mm
25mm x 3mm	25mm x 5mm	55mm x 5mm
30mm x 3mm	30mm x 5mm	60mm x 5mm
35mm x 3mm	35mm x 5mm	
40mm x 3mm	40mm x 5mm	

FAST DELIVERY, WHATEVER YOU REQUIRE!

WE CAN SUPPLY MATCHING STAIR TREADS - SEE PAGE 10

ALSO AVAILABLE WITH SERRATED EDGE BEARER BARS FOR EXTRA GRIP

SEE PAGE 19 FOR SAFE LOAD TABLES

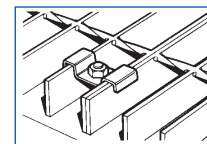
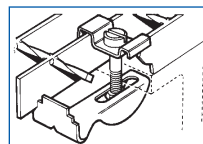
HOW TO ORDER

STANDARD PANELS

- | | |
|---|---|
| <ol style="list-style-type: none"> 1. Type of flooring. 2. Bar dimension. 3. Finish - plain, galvanised or bituminous. | <p>IF A SPECIAL we also need</p> <ol style="list-style-type: none"> 1. Size of panel. 2. Direction of load bearing bars 3. Are binding bars required on edges? 4. Drawings with written order |
|---|---|

FIXING CLIPS - Galvanised

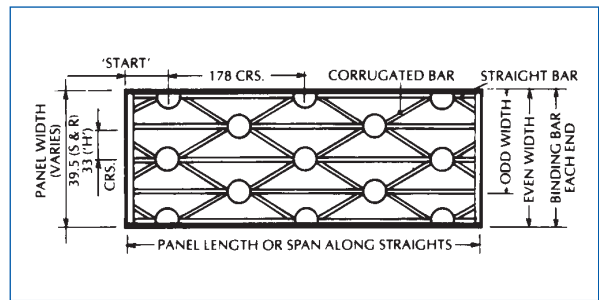
For type W (41mm between bars) Code No. 1941100
For type N (30mm between bars) Code No. 1930100



DIAMOND PATTERN OPEN STEEL FLOORING

BAR DEPTHS: 20mm - 50mm

Supplied in panels made to order with maximum sizes determined by specification.



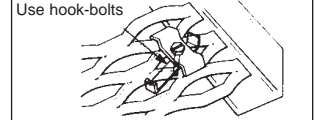
EXPANDED METAL WALKWAY MESH

Other patterns available in steel, aluminium and stainless steel.
Can also be supplied sheared to size.



FIXING CLIPS

Code No. 020217 (LRD-17A)
Not for use with 2496
Use hook-bolts

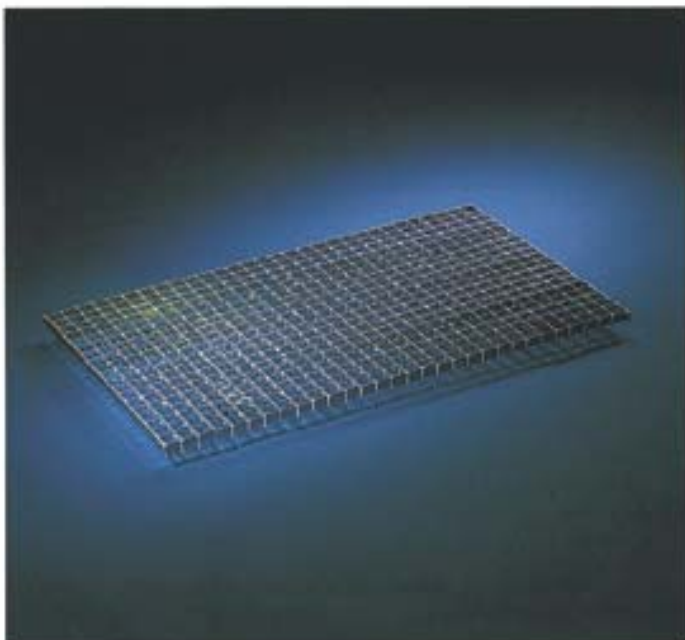


For use with Ref. 4896 - Code No. 020217
For use with Ref. 2496 consisting of
Hook, Bolt and Clamp.
Plain - Code No. 0201943
Galvanised - Code No. 0202943

Ref No	Type	Material	Nom size of aperture mm LW x SW	Nom size of stands mm		Nom overall thickness mm	Approx weight uncoated kg/m ²	Standard mm LW x SW	Sheared standard mm	
				width	thick				note below LW	note below x SW
4896	Plain	Steel	79.4 x 23.8	6.35	4.70	13.50	13.82	2440 x 1220	366	427 488 549 610 x 1015
2496	Plain	Steel	44.5 x 12.70	6.10	4.70	12.70	17.69	2440 x 1220		

GRATINGS

PRODUCT GROUP 42



Elefant® Industrial Gratings

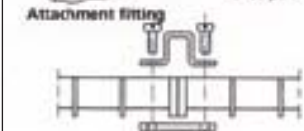
Material:
Galvanised or
Plain Steel

Mesh:
30x30mm or
15x30mm

Bearing bars	Mesh Panel	MESH SIZE	
		30 x 30	15x30
25x2 mm	Size in mm	Item no.	Item no.
	400 x 1000	9504G	-
	500 x 500	9505G	-
	500 x 1000	9510G	8510G
	500 x 1500	9515G	8515G
	600 x 500	9605G	-
	600 x 1000	9610G	8610G
	600 x 1500	9615G	8615G
	700 x 500	9705G	-
	700 x 1000	9710G	8710G
	700 x 1500	9715G	8715G
	800 x 500	9805G	-
	800 x 1000	9810G	8810G
	800 x 1500	9815G	8815G
900 x 500	9905G	-	
900 x 1000	9910G	8910G	
900 x 1500	9915G	8915G	
1000 x 500	9105G	-	
1000 x 1000	9110G	8110G	
1000 x 1500	9115G	8115G	
30x2 mm	700 x 750	2707G	-
	700 x 1000	2710G	-
	700 x 1250	2712G	-

FIXING CLIPS

TOP FIXING CLIPS CODE: 4233990010



CLAMP FITTING
CODE: 4233990020

Industrial gratings combine great strength with a light structure giving good non-slip properties. Ideal for use on platforms, galleries, gangways, storage floors etc.

Elefant® Industrial gratings stock items only have an edge bar on two sides parallel to the first dimension shown in the table

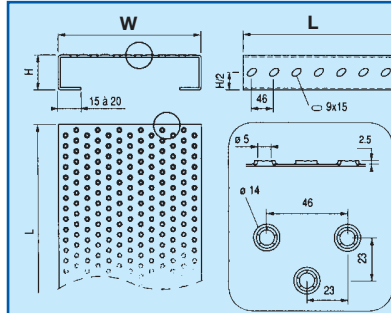
• = can be delivered in self colour

The grating can be manufactured to the customers applications

RHINO ANTI-SLIP FLOORING

PRODUCT GROUP 34

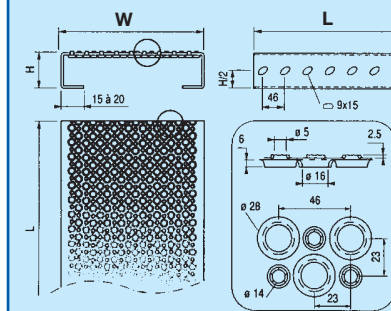
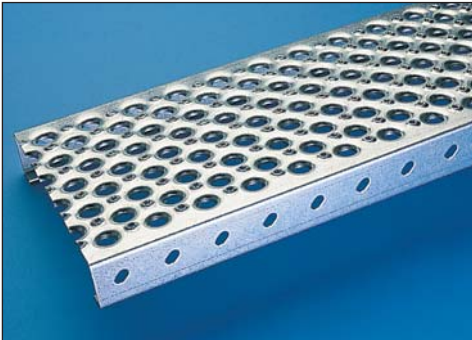
2mm THICK PRE-GALVANISED IN LENGTHS OF APPROX 4 METRES x 50mm DEEP



RHINOPIC

Holes Ø 5mm burst embossed upwards
Non slip surface
Setting in inclined side
% Open area: 2.0
Joining clips available

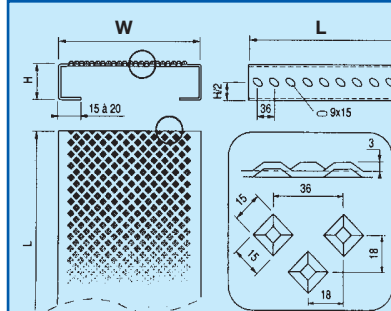
Width	Code No.
240mm	240360
300mm	240361



RHINOMIXTE

Holes Ø 5mm burst embossed upwards
Holes Ø 16mm embossed downwards
Non slip surface Draining surface
% Open area: 21.0
Joining clips available

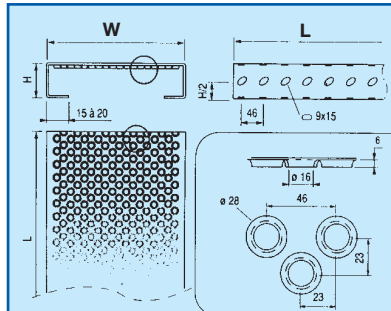
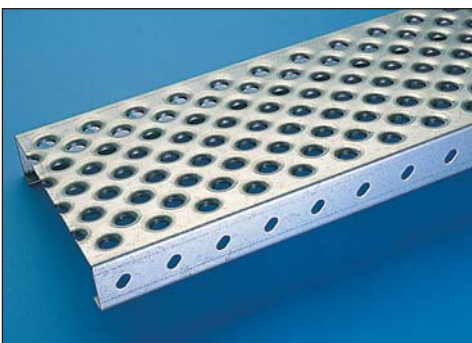
Width	Code No.
180mm	240335
240mm	240336
300mm	240337
360mm	240338



RHINODIAM

Diamond points embossed in a diagonal line
Universal use for all requirements
Joining clips available

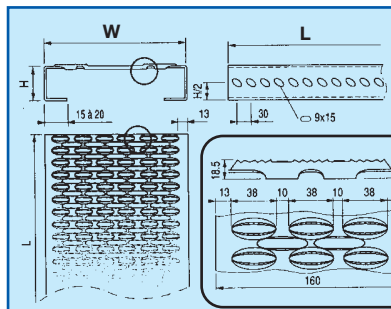
Width	Code No.
180mm	240355
240mm	240356
300mm	240357
360mm	240358



RHINODOWN

Holes Ø 16mm embossed downwards
Recommended for warehouse and shelving
% Open area: 19.0
Joining clips available

Width	Code No.
240mm	240345
300mm	240346
360mm	240347



RHINOPLUS

Split and embossed surface with serrated finish
Very strong and non slip
Recommended for high risk slippery areas
% Open area: 47.0
Joining clips available

Width	Code No.
180mm	240340
240mm	240341
300mm	240342
360mm	240343

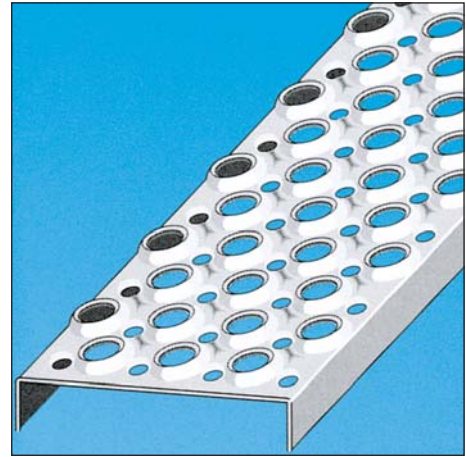
FLOOR STRAPS FOR END FIXING :

180mm - Code 240400	240mm - Code 240401
300mm - Code 240402	360mm - Code 240403

STAINLESS STEEL FIRMGRIP PLANKS - TYPE 95 IN 2mm THICK

Width	Depth	Length	Code No.
150mm x 32mm		3000mm	429531532SS
200mm x 45mm		3000mm	429532045SS
225mm x 45mm		3000mm	429532245SS
250mm x 45mm		3000mm	429532545SS
275mm x 45mm		3000mm	429532745SS

PRODUCT GROUP 42



ALUMINIUM FIRMGRIP PLANKS TYPE 1409 IN 3mm THICK

Width	Depth	Length	Code No.
100mm x 45mm		6000mm	4214601045AL
150mm x 45mm		6000mm	4214601545AL
200mm x 45mm		6000mm	4214602045AL

DURBAR PATTERN STEEL FLOOR PLATES

PRODUCT GROUP 3501

Thickness on plain mm	2000	2500	3000	Kilos per sq metre
	x 1000	x 1250	x 1500	
3	■ 6313	■ 84113		26.20
4.5	■ 63145	■ 84145	■ 31145	37.97
6	■ 6316	■ 8416	■ 3116	49.74
8	■ 6318	■ 8418	■ 3118	65.44
10	■ 63110	■ 84110	■ 31110	81.14
12.5	■ 63112	■ 84112	■ 31112	100.77



ALUMINIUM ALLOY TREADPLATE FIVE BAR PATTERN Grade 5754 H114 Tread Height 1.5mm

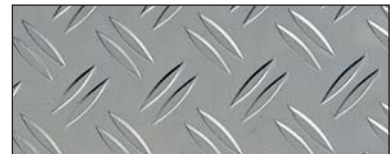
PRODUCT GROUP 3505

Length x Width	Thickness	Code No.
2500mm x 1250mm	2.0	35058452
2500mm x 1250mm	3.0	35058453
2500mm x 1250mm	4.5	35058445



ALUMINIUM ALLOY TREADPLATE TWO BAR PATTERN Grade 5754 H114 Tread Height 0.5mm

Length x Width	Thickness	Code No.
2000mm x 1220mm	1.5	350563215



ALUMINIUM ALLOY TREADPLATE ONE BAR PATTERN Grade 5754 H114 Tread Height 1.5mm

PRODUCT GROUP 3505

Length x Width	Thickness	Code No.
3000mm x 1250mm	3.0	35053113
2500mm x 1250mm	6.0	35058416



STAINLESS STEEL TREADPLATE ONE BAR PATTERN Grade 304 Tread Height 1.5mm

PRODUCT GROUP 3504

Length x Width	Thickness	Code No.
3000mm x 1000mm	3.0	35043113
3000mm x 1250mm	4.5	350431145



GLASS FIBRE GRATINGS

PRODUCT GROUP 33

- * TOP QUALITY
- * CORROSION RESISTANT
- * SLIP RESISTANT
- * FIRE RETARDENT
- * HIGH WEIGHT TO STRENGTH RATIO
- * EASY TO USE
- * LONG SERVICE LIFE



CODE 33273640
 MOULDED GRATING 38mm DEEP
 MESH SIZE - 38 x 38mm
 STANDARD PANEL: 1220 x 3660mm
 COLOUR - GREY (OTHER COLOURS TO ORDER)
 INTEGRAL QUARTZ GRIT TOP

**ALL PATTERNS
 CAN BE SUPPLIED
 CUT TO SIZE**



CODE 33273170
 MOULDED GRATING 25mm DEEP
 MESH SIZE - 25 x 100mm
 STANDARD PANEL: 1220 x 3660mm
 COLOUR - GREY (OTHER COLOURS TO ORDER)
 INTEGRAL QUARTZ GRIT TOP

COMPETITIVELY PRICED
 WITH NON-FERROUS ALTERNATIVES



CODE 33280116
 MOLTRUDED GRATING - RIGIDEX 11 - 38mm DEEP
 MESH SIZE - 25 x 100mm
 STANDARD PANEL: 1220 x 3660mm
 COLOUR - YELLOW
 INTEGRAL QUARTZ GRIT TOP

CODE 33280032
 MOLTRUDED GRATING - RIGIDEX 1 - 38mm DEEP
 MESH SIZE - 38 x 100mm
 STANDARD PANEL: 1220 x 3660mm
 COLOUR - GREY
 INTEGRAL QUARTZ GRIT TOP

HOLDING DOWN CLIPS - stainless steel
 CODE: 330001 - for 38 x 38mm mesh
 CODE: 330002 - for rectangular mesh 25mm wide
 CODE: 330003 - for rectangular mesh 38mm wide

- WE CAN ALSO SUPPLY TO ORDER:**
- PULTRUDED INDUSTRIAL AND PEDESTRIAN GRATINGS
 - STRUCTURAL SHAPES - RODS, TUBES, BEAMS, ANGLES, CHANNELS & PLATES
 - SAFETY LADDERS AND HANDRAILING COMPONENTS

CHEMPLATE GRP FLOOR PLATE

PRODUCT GROUP 33

AN ECONOMICAL, SAFE SOLUTION TO SLIPPERY WALKING SURFACES. EASILY CUT AND FITTED BY BOLTING OR SCREWING DOWN. EASY TO CLEAN. EXCELLENT DURABILITY. CAN BE FITTED OVER ANY SOLID SURFACE WHERE SLIPS OR FALLS ARE A POTENTIAL HAZARD.

STANDARD COLOUR: GREY
 SHEET SIZE: 1219 x 2438mm

	THICKNESS	WEIGHT PER SHEET
CODE: 33220220	3 mm	18.1 KGS
CODE: 33220150	6 mm	21.8 KGS
CODE: 33220110	10 mm	35.8 KGS

